

MAKILA 1 A1

Proven experience

The reference in the 1,800 shp range

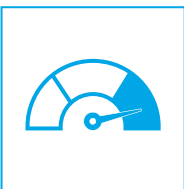


H215

AIRBUS

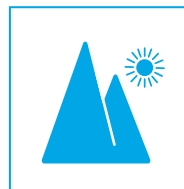


Power Range: 1,820 shp



ROBUSTNESS

- Modular engine
- High reliability on field



MISSIONS ENVIRONMENT

- High and hot operating envelope
- Good accessibility for maintenance activities.



TAILORED SERVICES

- Local support teams / 1,500 people worldwide
- N°1 propilot magazine survey 2017



EXPERIENCE

- High performance in hostile environments.
- 60 operators in more than 25 countries.

MAKILA 1 A1

ON FIELD PROVEN TECHNOLOGIES

ANNULAR COMBUSTION CHAMBER

- High combustion efficiency

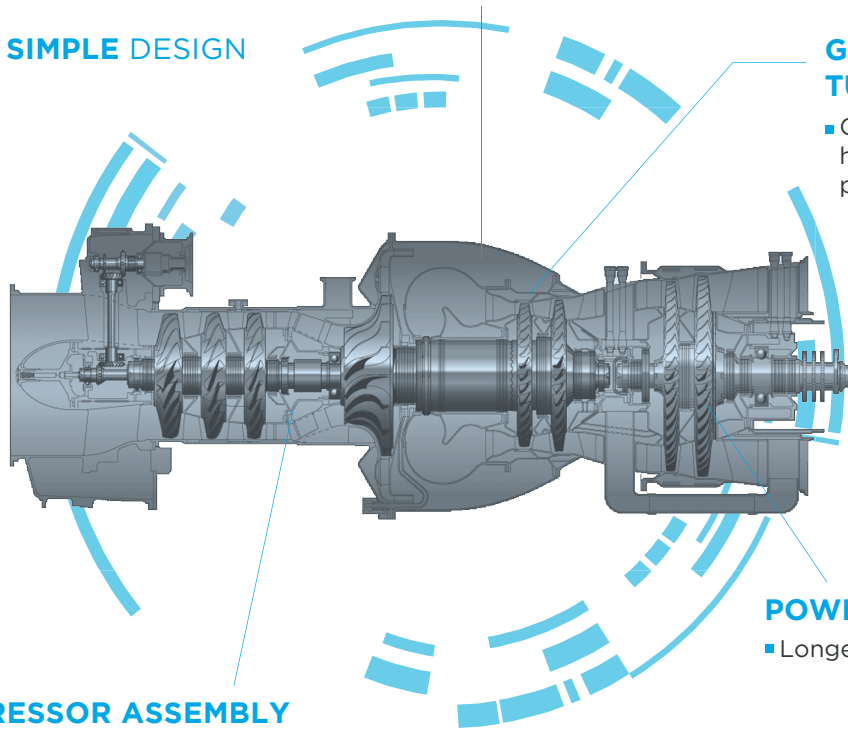
HIGH POWER RANGE



ROBUST & SIMPLE DESIGN

GAS GENERATOR TURBINE

- Outstanding high-temperature performance



POWER OUTPUT SHAFT

- 23,000 FT

POWER TURBINE

- Longevity

COMPRESSOR ASSEMBLY

- High compression ratio

RATINGS

OEI 2.5 minutes	1,330 kW / 1,784 shp
TAKE OFF	1,357 kW / 1,820 shp
Max.continuous	1,185 kW / 1,589 shp

HIGH POWER RANGE HIGHLIGHTS

13M+
FLIGHT
HOURS

OPERATORS
100+

Safran is an international high-technology group, operating in the aircraft propulsion and equipment, space and defense markets. Safran has a global presence, with more than 58,000 employees and sales of 16.5 billion euros in 2017. Safran Helicopter Engines is the world's leading manufacturer of helicopter engines, with more than 72,000 produced since being founded. It offers the widest range of helicopter turboshafts in the world and has more than 2,500 customers in 155 countries.

SINCE 1938

100
MILLION
FLIGHT HOURS

ONE

SAFRAN HELICOPTER ENGINE
**TAKES-OFF EVERY
9 SECONDS**



YOUR LOCAL CONTACT

24/7 SUPPORT

SAFRAN

safran-helicopter-engines.com



SAFRAN HELICOPTER ENGINES
PRODUCT MARKET TEAM

07/2018