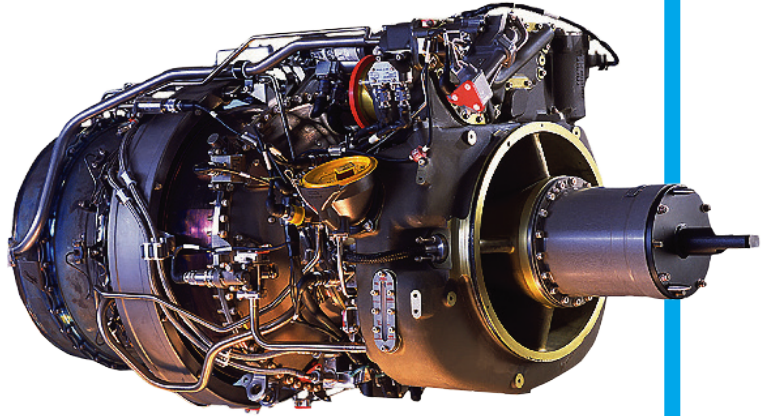


RTM322

Gets the mission done



"RTM322 provides the power you need in the most critical situations"

NH90
Apache
EH 101



Power range: 2,100-2,600 shp



PROTECTED TROOPS

- LRUs mounted at the top, away from ground firing zones
- Aggressive power available when the mission gets hazardous
- Digital shield



MISSION-FOCUSED PILOTS

- Dual-Channel Full Authority Digital Engine Control & monitoring system + fault management
- Automatic start, anti-surge, overtemp & overspeed shield to keep your eyes down the field



TIME-EFFICIENT MECHANICS

- 5 or 6 separate modules, full boroscope access on-wing: less time on ground
- 1st and 2nd line maintenance performed in the field
- <15 min. to replace all LRUs



OPERATION-READY AIRCRAFT

- Fully marinated materials, tested in the most demanding environments (IPS available)
- Highly versatile, RTM322 is your best partner for Medevac, CSAR, tactical transport, mine sweeping and attack missions
- Availability: on condition monitoring

RTM322

PIONEER IN HELICOPTER
FADEC SYSTEMS
35-YEAR EXPERIENCE

HIGH
POWER
RANGE



REVERSE-FLOW COMBUSTION CHAMBER

- Simple, robust and compact engine

DUAL-CHANNEL FADEC

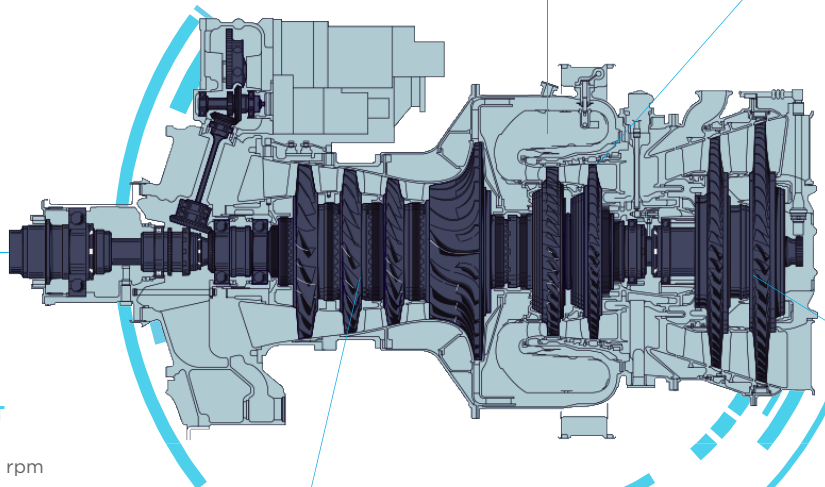
- 40M Flight Hours

GAS GENERATOR TURBINE

- Single crystal turbine blades enabling outstanding high-temperature performance, enhanced life margins and growth potential

POWER OUTPUT SHAFT

- 20,900 rpm



POWER TURBINE

- Controlled temperatures and stress levels

COMPRESSORS

- With wide chord blades
- Capable of surge-free acceleration from flight idle to maximum power in less than 3 seconds

RATINGS | 01/9A

TAKE OFF	2,554 Shp 1,897 kW
MAX CONTINUOUS	2,421 Shp 1,805 kW

HIGH POWER RANGE HIGHLIGHTS

13M+
FLIGHT
HOURS

OPERATORS
100+

Safran is an international high-technology group, operating in the aircraft propulsion and equipment, space and defense markets. Safran has a global presence, with more than 58,000 employees and sales of 16.5 billion euros in 2017. Safran Helicopter Engines is the world's leading manufacturer of helicopter engines, with more than 72,000 produced since being founded. It offers the widest range of helicopter turboshafts in the world and has more than 2,500 customers in 155 countries.

SAFRAN HELICOPTER ENGINES
PRODUCT
MARKET TEAM

SINCE 1938

100
MILLION
FLIGHT HOURS

ONE

SAFRAN HELICOPTER ENGINE
TAKES-OFF EVERY
9 SECONDS



YOUR LOCAL CONTACT

24/7 SUPPORT

 **SAFRAN**

safran-helicopter-engines.com



06/2018